

Container-carrying wagon Lgss (L5L)



General

Load limits:

	A	B	C
SS	19,7	23,7	27,7

Tare: ca. 12,3 t
R_{min}: 80 m
Gauge: RIV
Axle load: 20,0 t
Length over Buffer: 15.100 mm
Ramp angle (R=150m): 3,5°
Loading length: 13.860 mm
Loading width: 2.550 mm
Height of floor: 1.180 mm

Running Gear

UIC 100M1340 005 C a
Wheel diameter: 990 mm
Wheel set type: SNCF 9051 A
Axle box type: SNCF
Suspension: double-link suspension
parabolic leaf spring
1200/2-stage/5 layer

Bremse

Brake type: Ch-GP-A 12" (K)
Brake pads: C 810
Load braking: MAX. 36 t/contin., autom.
2 x WM10
Handbrake (20 %): operated from ground
Air reservoir: 125 l

Draw gear and Buffer

Buffer : Cat.A 590 kN/105 mm
Buffer plate dimensions: 340 x 450 mm
Draw gear: normal/85 t

Equipment

4 fixed container pins
8 folding container pins
2 folding retractable handles/UIC 535-2

Options

GPS- Modul

Remarks

Able for the UK Traffic/UIC 503 (UK)

Load Goods

Container and swap body/UIC 592-2 and UIC 596-6

1 x Container

Class 1: 20/X, 20/8, 20/8.5, 30/X, 30/8, 30/8.5, 40/X, 40/8, 40/8.5

Class 2: 20, 30 ,40

Class 3: 20, 30 ,40
til for max. weight 27 t

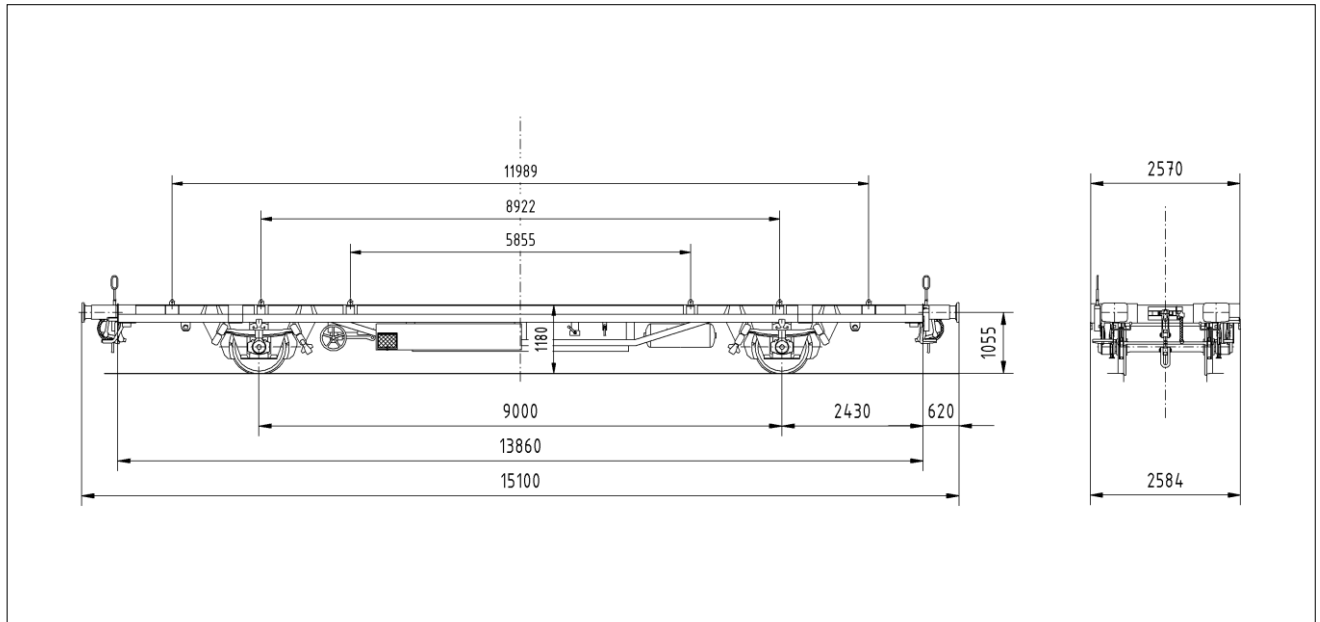
1 x Swap body

symmetric: (20), (21), 22, 23, 24, 26, (30), 40, 42, (44), (45)

asymmetric: (81), (82), (84), (85), (86), (91), (94), 96
til for max. weight 27 t

Container-carrying wagon Lgss (L5L)

Appendix to Data Sheet



Container-carrying wagon Lgss (L5L)

Appendix to Data Sheet

Possible opportunities for Container and Swap body WB= Swap body

